

isc Silicon NPN Power Transistor

2SD1556

DESCRIPTION

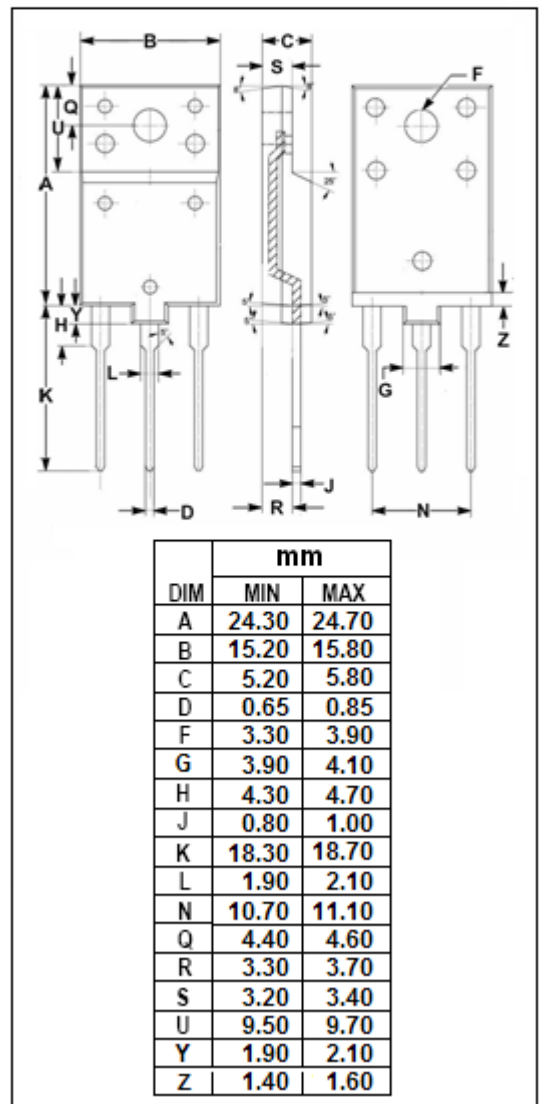
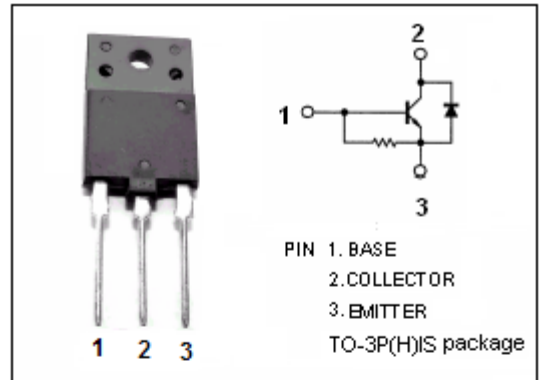
- High Breakdown Voltage-
: $V_{CBO} = 1500V$ (Min)
- High Switching Speed
- Low Saturation Voltage
- Built-in Damper Diode

APPLICATIONS

- Designed for color TV horizontal output applications

ABSOLUTE MAXIMUM RATINGS($T_a=25^\circ C$)

SYMBOL	PARAMETER	VALUE	UNIT
V_{CBO}	Collector-Base Voltage	1500	V
V_{CEO}	Collector-Emitter Voltage	600	V
V_{EBO}	Emitter-Base Voltage	5	V
I_C	Collector Current- Continuous	6	A
I_B	Base Current- Continuous	3	A
P_C	Collector Power Dissipation @ $T_C=25^\circ C$	50	W
T_J	Junction Temperature	150	$^\circ C$
T_{stg}	Storage Temperature Range	-55~150	$^\circ C$



isc Silicon NPN Power Transistor**2SD1556****ELECTRICAL CHARACTERISTICS** $T_C=25^{\circ}\text{C}$ unless otherwise specified

SYMBOL	PARAMETER	CONDITIONS	MIN	TYP.	MAX	UNIT
$V_{(BR)EBO}$	Emitter-Base Breakdown Voltage	$I_E=200\text{mA}; I_C=0$	5			V
$V_{CE(sat)}$	Collector-Emitter Saturation Voltage	$I_C=5\text{A}; I_B=1\text{A}$			5.0	V
$V_{BE(sat)}$	Base-Emitter Saturation Voltage	$I_C=5\text{A}; I_B=1\text{A}$			1.5	V
I_{CBO}	Collector Cutoff Current	$V_{CB}=500\text{V}; I_E=0$			10	μA
h_{FE}	DC Current Gain	$I_C=1\text{A}; V_{CE}=5\text{V}$	8			
V_{ECF}	C-E Diode Forward Voltage	$I_F=6\text{A}$			2.0	V
f_T	Current-Gain—Bandwidth Product	$I_C=0.1\text{A}; V_{CE}=10\text{V}$		3		MHz
C_{OB}	Output Capacitance	$I_E=0; V_{CB}=10\text{V}; f_{\text{test}}=1.0\text{MHz}$		165		pF
t_f	Fall Time	$I_{CP}=5\text{A}, I_{B1(\text{end})}=1\text{A}$		0.5	1.0	μs

isc Silicon NPN Power Transistor

2SD1556

