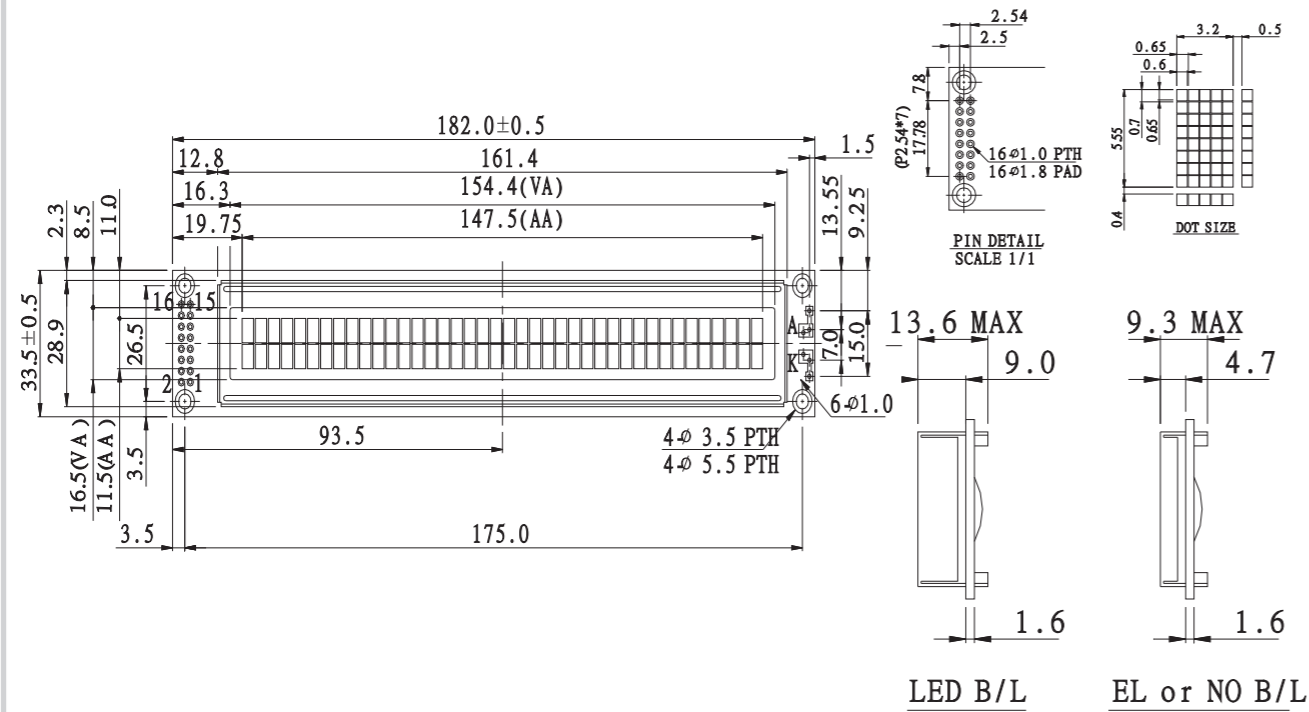


4002A Character 40x2

Dimension drawing



Character type

Feature

1. 5x8 dots includes cursor
2. Built-in controller (KS 0066 or Equivalent)
3. +5V power supply (Also available for +3V)
4. 1/16 duty cycle
5. LED can be driven by pin1, pin2, pin15, pin16 or A and K
6. N.V. optional for +3V power supply

| Pin NO. | Symbol | Function |
|---------|--------|--|
| 1 | Vss | GND |
| 2 | Vdd | +3V or +5V |
| 3 | Vo | Contrast Adjustment |
| 4 | RS | H/L Register select signal |
| 5 | R/W | H/L Read / write signal |
| 6 | E | H→L Enable signal |
| 7 | DB0 | H/L Data bus line |
| 8 | DB1 | H/L Data bus line |
| 9 | DB2 | H/L Data bus line |
| 10 | DB3 | H/L Data bus line |
| 11 | DB4 | H/L Data bus line |
| 12 | DB5 | H/L Data bus line |
| 13 | DB6 | H/L Data bus line |
| 14 | DB7 | H/L Data bus line |
| 15 | A/Vee | +4.2V for LED /Negative Voltage output |
| 16 | K | Power supply for B/L (0V) |

Mechanical Data

| Item | Standard Value | Unit |
|------------------|----------------|------|
| Module Dimension | 182.0x33.5 | mm |
| Viewing Area | 154.4x16.5 | mm |
| Mounting hole | 175.0 x 26.5 | mm |
| Character Size | 3.2x5.55 | mm |

Absolute Maximum Rating

| Item | Symbol | Standard Value | | | Unit |
|---------------|---------|----------------|------|------|------|
| | | min. | typ. | max. | |
| Power Supply | VDD-VSS | -0.3 | --- | 7.0 | V |
| Input Voltage | VI | -0.3 | --- | VDD | V |

Note : VSS=0 Volt, VDD=5.0 Volt.

Electronical Characteristics

| Item | Symbol | Condition | Standard Value | | | Unit |
|--|--------|------------------|----------------|------|------|------|
| | | | min. | typ. | max. | |
| Input Voltage | VDD | VDD=+5V | 4.7 | 5.0 | 5.3 | V |
| | | VDD=+3V | 2.7 | 3.0 | 5.3 | V |
| Supply Current | IDD | VDD=5V | --- | 6.0 | 8.0 | mA |
| Recommended LC Driving Voltage for Normal Temp. Version module | VDD-V0 | -20°C | 5.0 | 5.1 | 5.7 | V |
| | | 0°C | 4.6 | 4.8 | 5.2 | |
| | | 25°C | 4.1 | 4.5 | 4.7 | |
| | | 50°C | 3.9 | 4.2 | 4.5 | |
| LED Forward Voltage | VF | 25°C | --- | 4.2 | 4.6 | V |
| | | 25°C | --- | 280 | 560 | mA |
| LED Forward Current | IF | 25°C | --- | 280 | 560 | mA |
| EL Power Supply Current | IEL | Vol=110VAC;400Hz | --- | --- | 5.0 | mA |

Display Character Address Code

Display position

| | | | | | | | | | | | | | |
|----------------|----|----|----|----|----|----|----|----|----|----|-----|----|----|
| DD RAM Address | 00 | 01 | 02 | 03 | 04 | 05 | 06 | 07 | 08 | 09 | --- | 39 | 40 |
| DD RAM Address | 40 | 41 | | | | | | | | | | | 67 |