

KOBICONN DC Power Jacks

KOBICONN

Products may be RoHS compliant. Check mouser.com for RoHS status.

DC POWER JACKS

Most feature Phosphor bronze springs, brass pins, and terminals.

Chassis/Panel Mount

t = Thickness

For quantities greater than listed, call for quote.

MOUSER STOCK NO.	Fig.	Description	Voltage Rating (VDC)	Current Rating (A)	Dimensions: mm		Price Each			
					Mating/Plg. O.D.	Center Pin (D x L)	1	10	100	500
.7mm										
163-4007-EX	A	Front mount, plastic thread	3.15	2	2.35	0.65 x 9.00	1.44	1.11	1.01	.92
1.3mm										
163-4013	B	Metal overall length .85", best w/ 171-3209	15	3	3.50	1.20 x 9.80	3.51	2.70	2.45	2.23
163-4012-EX	A	Front mount, plastic thread	12	0.5	3.50	1.30 x 9.00	1.44	1.11	1.01	.92
163-4015-EX	A	Front mount, plastic thread	12	0.5	3.40	1.30 x 9.00	1.44	1.11	1.01	.92
1.7mm										
163-4018-EX	A	Front mount, plastic thread	6.3	2	4.00	1.65 x 9.00	1.44	1.11	1.01	.92
163-4117-EX	C	Front mount, NC switch	10.5	2	4.75	1.65 x 9.00	1.73	1.33	1.21	1.10
163-4118-EX	A	Front mount, plastic thread	10.5	2	4.75	1.65 x 9.00	1.44	1.11	1.01	.92
2.1mm										
16PJ222	D	Molded, standard with NC switch	12	0.5	5.50	2.00 x 7.20	1.24	.95	.86	.78
163-5006-E	E	Molded with NC switch	12	1.5	5.50	2.00 x 8.00	.99	.77	.70	.64
163-4302-E	C	Round plastic with NC switch	12/24	0.5	5.50	2.00 x 9.00	1.51	1.16	.96	.87
163-4304-E	F	Split pin with NC switch	16	2	5.50	2.00 x 8.00	2.50	1.92	1.75	1.59
163-MJ21-EX	F	Split pin with NC switch, t 1-3mm max.	12	3	5.50	2.00 x 8.00	2.77	2.13	1.94	1.76
163-4021	G	Metal overall length 1.06", t 5mm max.	100	2	5.50	2.00 x 7.50	3.52	2.71	2.46	2.24
163-R123B-E	G	Metal overall length 1.06"	250	1	5.50	2.00 x 7.50	1.75	1.46	1.33	1.21
163-4020	H	Metal overall length .78"	3.15-13.5	2	5.50	2.00 x 9.00	2.61	2.01	1.83	1.66
163-1060-EX	I	Snap-in	12	0.5	5.50	2.00 x 8.00	1.05	.79	.72	.65
163-1000-EX	J	Locking use w/ 171-0725-EX or 171-0722-E	12	0.5	5.50	2.00 x 8.00	1.14	.88	.80	.73
163-2111-E	K	Black with NC switch	16	2	5.50	2.00 x 9.00	.76	.50	.46	.42
2.5mm										
163-5005-E	E	Molded with NC switch	12	1.5	5.50	2.35 x 8.00	.99	.77	.70	.64
163-MJ22-EX	F	Split pin with NC switch	12	3	5.50	2.35 x 8.00	2.77	2.13	1.94	1.76
163-4305-E	F	Split pin with NC switch	16	2	5.50	2.50 x 8.00	2.40	1.84	1.67	1.52
163-4025	G	Metal overall length 1.06"	100	2	5.50	2.40 x 7.50	3.52	2.71	2.46	2.24
163-2325-E	G	Metal overall length 1.06"	250	3	5.50	2.35 x 7.50	2.10	1.75	1.59	1.45
163-4024	G	Metal overall length .78"	3.15-13.5	2	5.50	2.35 x 9.00	2.61	2.01	1.83	1.66
163-1061-EX	I	Snap-in	12	1	5.50	2.35 x 8.00	1.03	.79	.72	.65
163-1100-EX	J	Locking use w/ 171-0725-EX or 171-0726-E	12	1	5.50	2.35 x 8.00	1.14	.88	.80	.73
163-2531-E	K	Black with NC switch	16	2	5.50	2.50 x 9.00	.76	.50	.46	.42

In-Line

For quantities greater than listed, call for quote.

MOUSER STOCK NO.	Fig.	Description	Voltage Rating (VDC)	Current Rating (A)	Dimensions: mm		Price Each			
					Mating/Plg. O.D.	Center Pin (D x L)	1	10	100	500
.7mm										
163-0307-E	L	Cable mount, Max. Cable O.D. = 4 mm	3.15	2	2.35	0.65 x 8.50	2.15	1.65	1.50	1.36
1.3mm										
163-0308-EX	L	Cable mount, Max. Cable O.D. = 4 mm	12	0.5	3.50	1.30 x 8.50	2.15	1.65	1.50	1.36
163-0309-EX	L	Cable mount, Max. Cable O.D. = 4 mm	12	0.5	3.40	1.30 x 8.50	2.15	1.65	1.50	1.36
1.7mm										
163-0310-EX	L	Cable mount, Max. Cable O.D. = 4 mm	10.5	2	4.75	1.65 x 8.50	2.15	1.65	1.50	1.36
2.1mm										
163-0300-EX	L	Cable mount, Max. Cable O.D. = 4 mm	12	1	5.50	2.00 x 8.50	2.46	1.89	1.72	1.56
163-0302	M	Cable mount, Max. Cable O.D. = 4 mm	3.15-13.5	2	5.50	2.00 x 9.00	2.65	2.03	1.85	1.68
2.5mm										
163-0301-EX	L	Cable mount, Max. Cable O.D. = 4 mm	12	1	5.50	2.35 x 8.50	2.46	1.89	1.72	1.56
163-0303	M	Cable mount, Max. Cable O.D. = 4 mm	3.15-13.5	2	5.50	2.40 x 9.00	2.55	1.96	1.78	1.62

PC MOUNT DC POWER JACKS

RoHS Compliant

For quantities greater than listed, call for quote.

MOUSER STOCK NO.	Fig.	Description	Voltage Rating (VDC)	Current Rating (A)	Dimensions: mm		Price Each			
					Mating/Plg. O.D.	Center Pin (D x L)	1	10	100	500
1.7mm										
163-4310-E	N	Molded snap mount with NC switch	6.3	2	4.00	1.65 x 8.50	1.66	1.28	1.16	1.05
163-4119-E	O	Molded NC switch, yellow	10.5	2	4.75	1.65 x 10.50	1.44	1.11	1.01	.92
2.1mm										
163-7620E-E	P	Molded with NC switch	18	1.5	5.50	2.00 x 8.00	.63	.42	.38	.35
163-179PH-EX	P	Molded with NC switch	18	1.5	5.50	1.95 x 8.00	1.04	.80	.73	.66
163-7421	Q	Positive ring lock use with 171-7391	3.15-13.5	2	5.50	2.00 x - - -	6.40	4.92	4.47	4.06
2.5mm										
163-180PH-EX	P	Molded with NC switch	18	1.5	5.50	2.35 x 8.00	1.04	.80	.73	.66

SURFACE MOUNT DC POWER JACKS

- NC Switch, Black
- Nickel plated brass contacts
- Operating Temperature: -25°C to +70°C
- Operating Life: 5000 cycles min.
- Contact Resistance: 50mΩ Max.

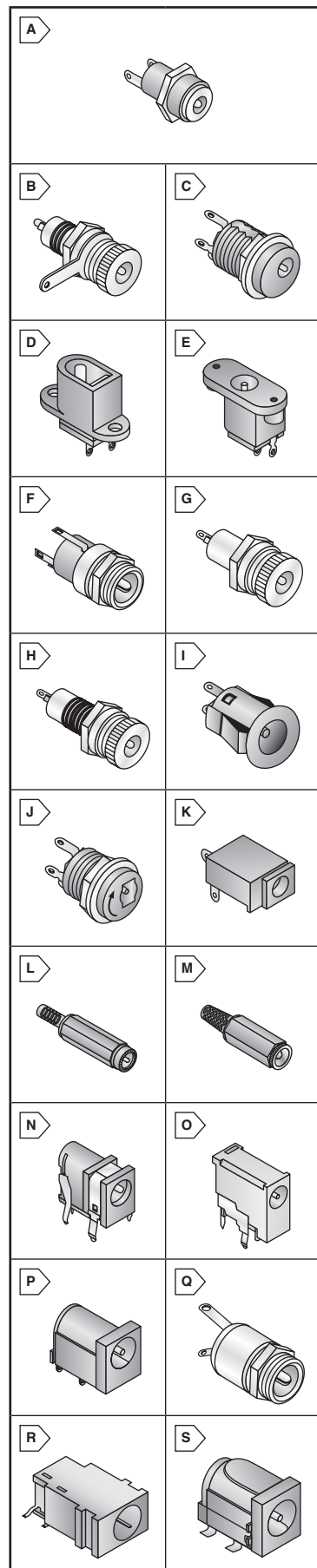
RoHS Compliant

For quantities greater than listed, call for quote.

MOUSER STOCK NO.	Fig.	Description	Voltage Rating (VDC)	Current Rating (A)	Dimensions: mm		Price Each			
					Mating/Plg. O.D.	Center Pin (D x L)	1	10	100	500
1.7mm										
* 163-2217-E	R	SMT jack with Black NC Switch	12	1	5.20	1.60 x 8.50	.96	.641	.586	.53
2.1mm										
163-0179-EX	S	SMT jack with Black NC Switch	24	3.5	5.50	2.00 x 8.00	1.56	1.20	1.09	.99
2.5mm										
163-0180-EX	S	SMT jack with Black NC Switch	24	3.5	5.50	2.35 x 8.00	1.56	1.20	1.09	.99

* Available on tape and reel as special order. Add /TR to end of P/N.

© Copyright 2012 Mouser Electronics



© Copyright 2012 Mouser Electronics