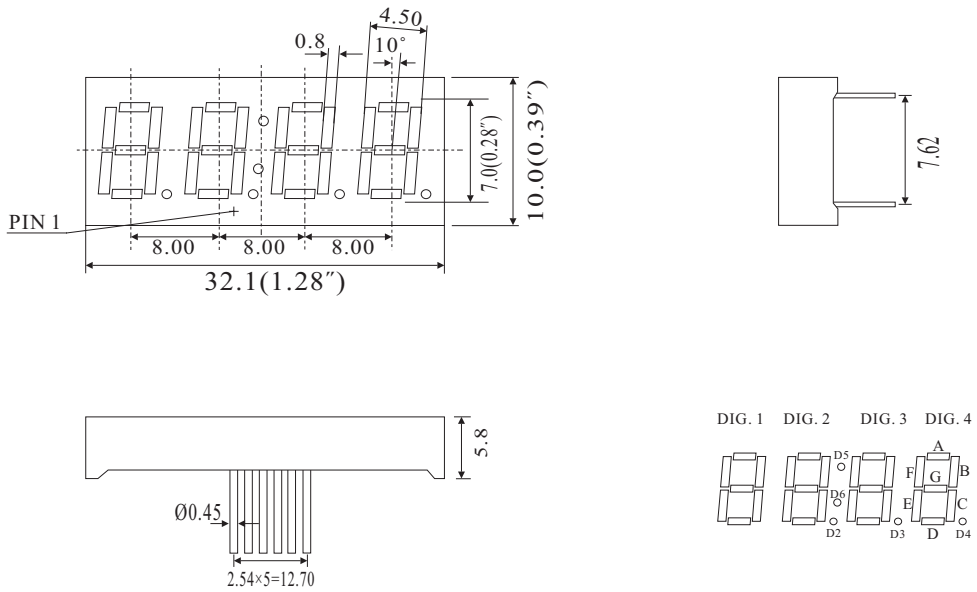


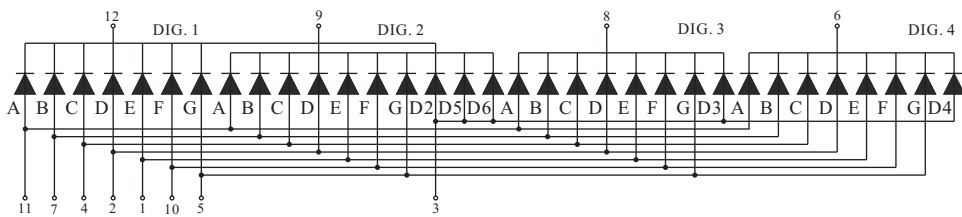
PACKAGE DIMENSION

E40281

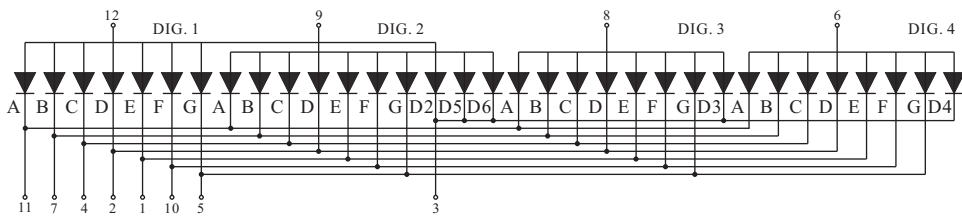


UNIT: MM(INCH) TOLERANCE: $\pm 0.25(0.01")$

INTERNAL CIRCUIT DIAGRAM



CODE L



CODE I